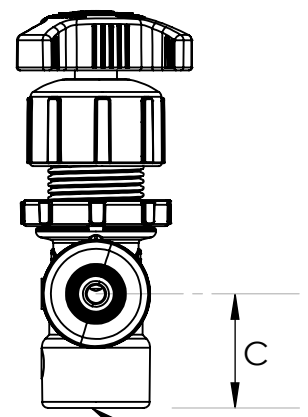


Barb Tip Accepts Tubing I.D from 1/4" to 1/2" Dia.



Female NPT Inlet

Size	Dim. A	Dim. B	Dim. C
1/4	3.3	4.3	1.15
3/8	3.4	4.4	1.2
1/2	3.8	4.5	1.4

PROPRIETARY AND CONFIDENTIAL
 THE INFORMATION CONTAINED IN THIS DRAWING IS THE SOLE PROPERTY OF <INSERT COMPANY NAME HERE>. ANY REPRODUCTION IN PART OR AS A WHOLE WITHOUT THE WRITTEN PERMISSION OF <INSERT COMPANY NAME HERE> IS PROHIBITED.

		UNLESS OTHERWISE SPECIFIED:		NAME	DATE
		DIMENSIONS ARE IN INCHES	DRAWN		
		TOLERANCES:	CHECKED		
		FRACTIONAL ±	ENG APPR.		
		ANGULAR: MACH ± BEND ±	MFG APPR.		
		TWO PLACE DECIMAL ±	Q.A.		
		THREE PLACE DECIMAL ±	COMMENTS:		
		INTERPRET GEOMETRIC TOLERANCING PER:			
		MATERIAL			
		FINISH			
NEXT ASSY	USED ON				
APPLICATION		DO NOT SCALE DRAWING			

Marquest Scientific, Inc. 2950 Airway Avenue, Bldg. C5, Costa Mesa, CA 92626		
TITLE: L Series Angle Needle Valve With Barb Tip		
SIZE A	DWG. NO. NAL-XXX-XXXBT	REV
SCALE: 1:2	WEIGHT:	SHEET 1 OF 1